

Core pull cylinder in casting machine

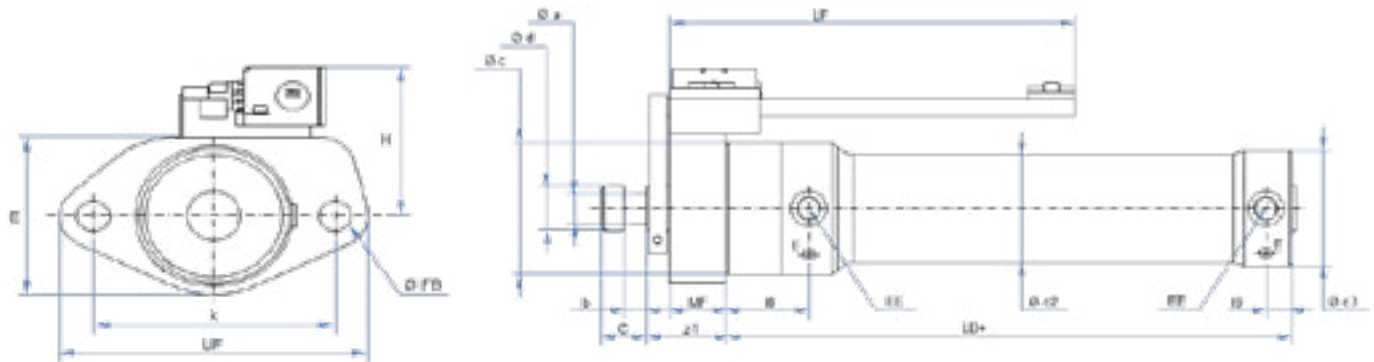
Core pull cylinders are especially sturdy hydraulic cylinders adapted to the requirements in die-casting machines.

With the externally installed position detection system with limit switch, both end positions can be set flexibly to any position. The piston rod is torsion-locked by the position detection system.

A modern sealing system prolongs the service life of the cylinders.

- + Design**
Single-rod cylinder, optional with cushioning
- + Mounting**
Cylinder: Quick change flange, head side
Piston rod: Flanged rod end
- + Configurations**
Sealing system of the cover: Servocop®
PU/NBR for hydraulic oil up to 100°C
PU+/NBR for HFC up to 60°C
FKM for temperatures up to 200°C
- + Hydraulic ports**
in acc. with ISO 228
Connection position: cap and head side
- + Quality of piston rod**
20MnV6 chrome-plated and honed
42CrMo4V hardened, chrome-plated and honed
- + Permissible pressure**
up to 160 bar





Piston Ø	Rod Ø	Port	Ventilation	LB	a	d	C	b	c	c2	c3	l8	l9
40	20	G 1/4	M 8 x 1	100	13	19	20	10	68	50	52	33	14
50	25	G 3/8	M 8 x 1	108	17	24	26	13	80	60	64	34	15
60	30	G 1/2	M 8 x 1	117	20	29	30	15	95	70	76	41	17
80	40	G 1/2	M 8 x 1	149	27	39	40	20	116	95	102	49	23
100	50	G 3/4	M 8 x 1	169	34	49	50	25	140	120	126	56	22
125	60	G 1	M 8 x 1	188	40	59	60	30	168	145	158	63	38
140	80	G 1 1/4	M 8 x 1	216	54	79	80	40	200	160	180	75	31
160	100	G 1 1/4	M 8 x 1	234	67	99	100	50	220	190	202	80	50
	120	G 1 1/4	M 8 x 1	273	80	119	120	60	240	220	228	110	46,5

Piston Ø	Rod Ø	z1	MF	k	FB	UF	E	H	LF+	Cylinder	Flange	Position detection system
40	20	15	40	105	18	141	80	98	60	55568243	55568253	55568261
50	25	23	40	150	25	200	90	103	60	55568242	55568252	55568260
60	30	25	50	160	25	210	110	113	60	55568241	55568251	55568259
80	40	25	50	180	25	230	130	123	60	55567970	55567984	55568021
100	50	28	55	210	25	260	150	133	60	55568244	55568254	55568262
125	60	33	65	250	30	310	180	148	60	55568245	55568255	55568263
140	80	40	65	280	35	350	220	168	60	55568247	55568256	55568264
160	100	40	80	290	39	370	240	178	60	55568249	55568257	55568265
	120	45	90	310	45	400	260	188	60	55568250	55568258	55568266

Dimensions in millimetres



Herbert Hänchen GmbH
Brunnwiesenstr. 3, 73760 Ostfildern
Postfach 4140, 73744 Ostfildern

Fon +49 711 44139-0, Fax +49 711 44139-100
info@haenchen.de, www.haenchen.de